

ROLAND MKS-70

EPROM A – REPLACEMENT SOUND BOARD EPROM HI – LO Optional

In this brief guide will be explained how to upgrade Roland MKS-70 replacing the EPROM placed on the *Assigner board*. To accomplish this elementary operation you'll need:

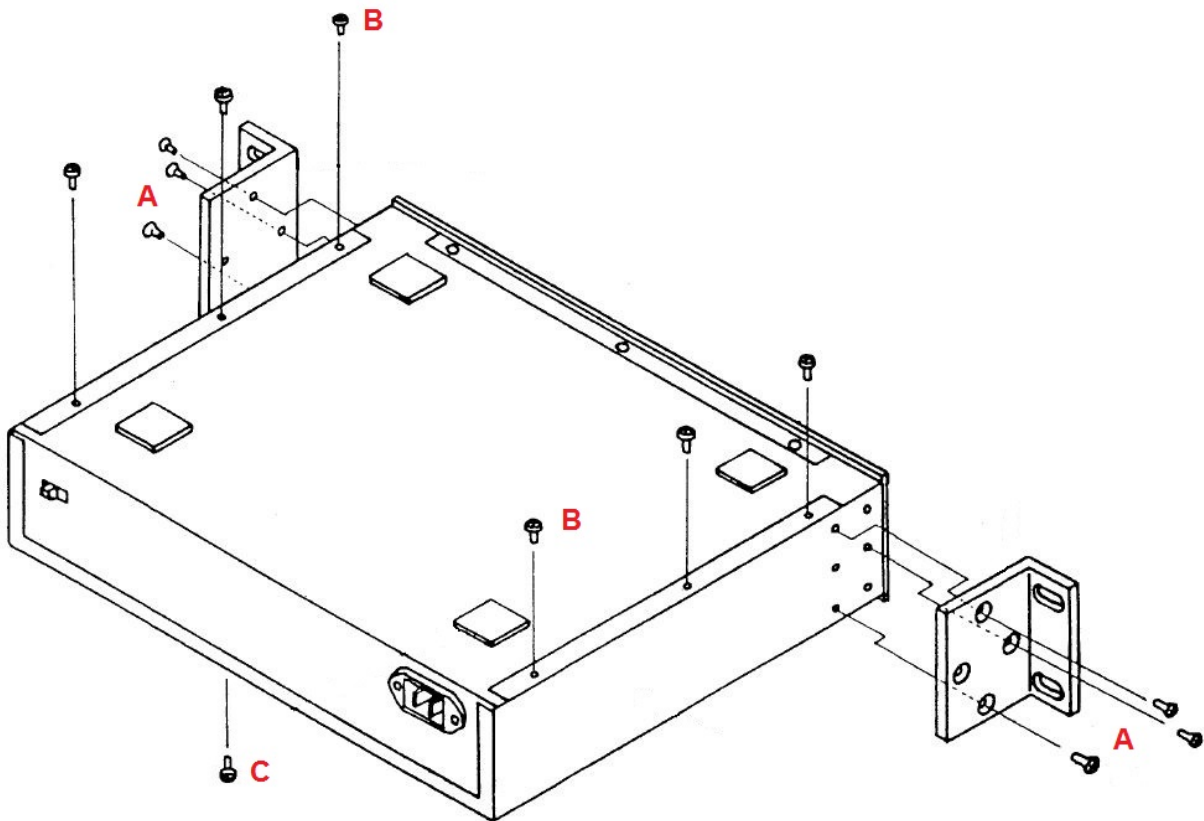
- A: Phillips screwdriver
- B: IC Extractor
- C: IC Integrated Circuit Leg Straightener Tool
- D: 8mm Closed end wrench
- E: EPROM A ver. 3.0

The optional EPROM High and Low can be placed, respectively, on Upper and Lower Sound Board.

*For further information about EPROM High and Low, please write to:
jx_sales@vecoven.com*

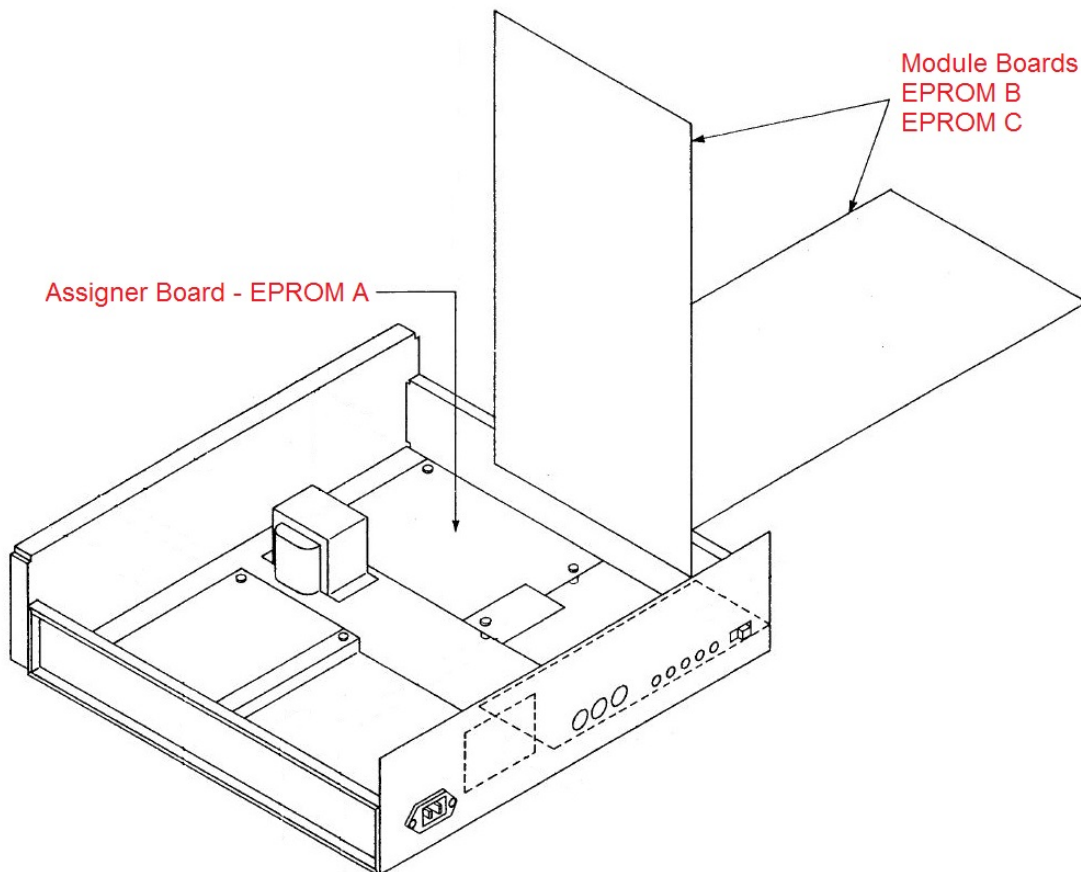


To open the MKS-70, please look at the following scheme:

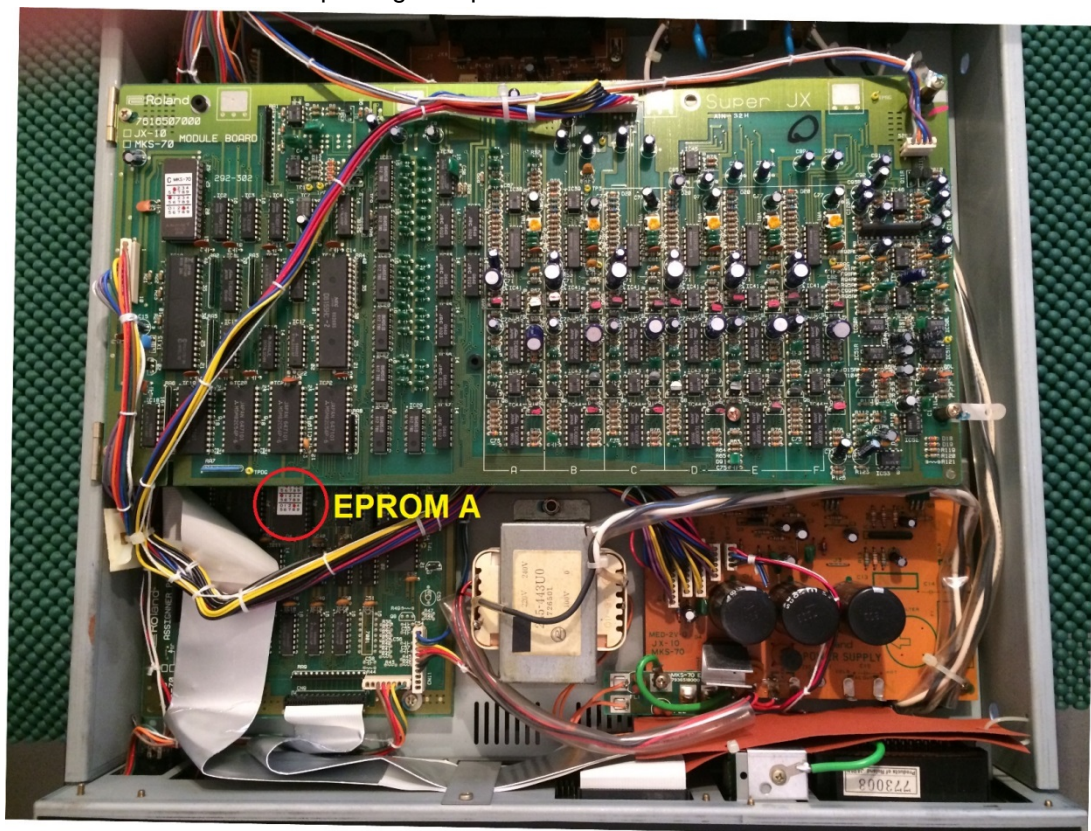


Unscrew A first, then B (left or right is not influential), tip over MKS-70 and unscrew C. At this point the top cover can be slid backwards.

Once opened MKS-70, please look at the following scheme:

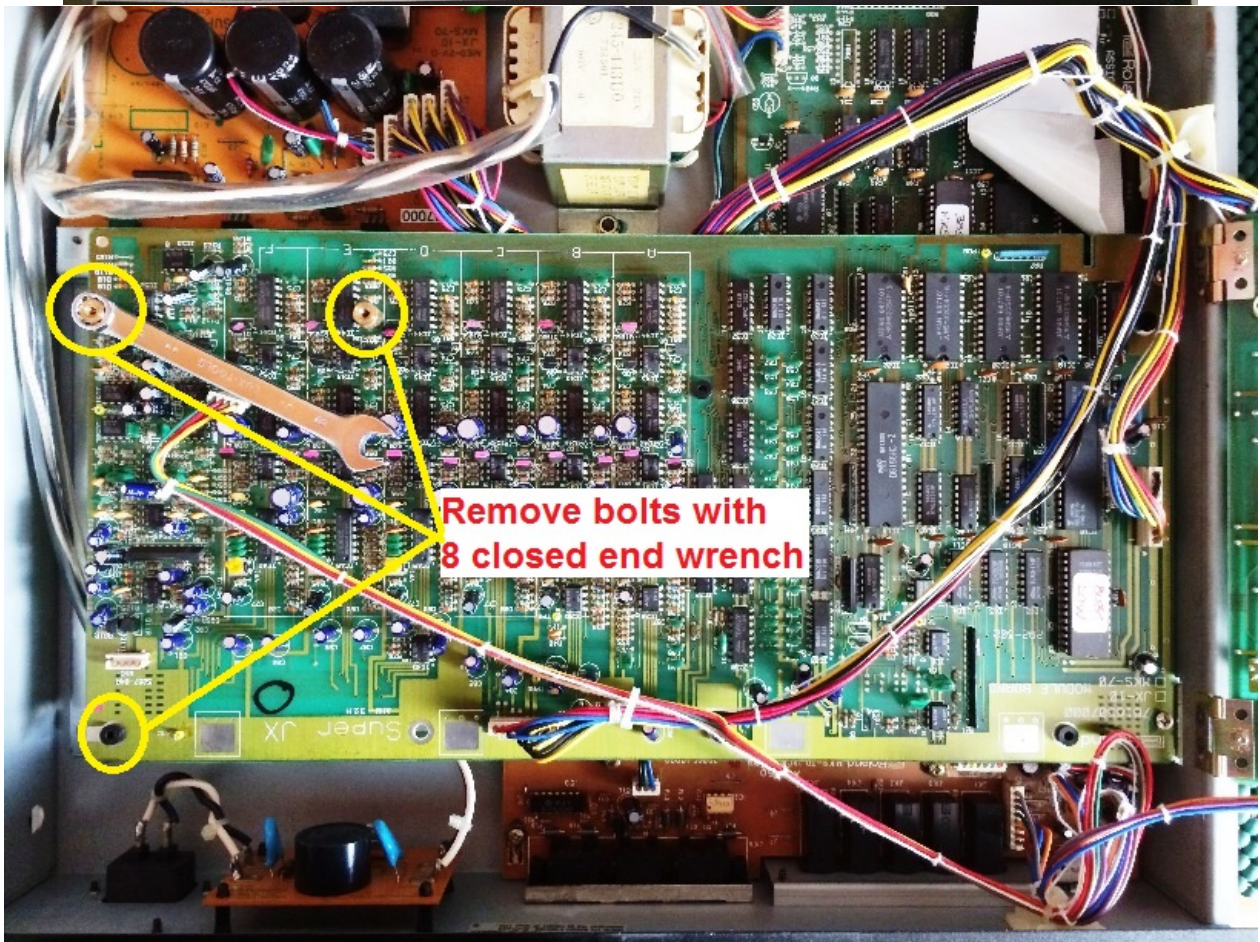
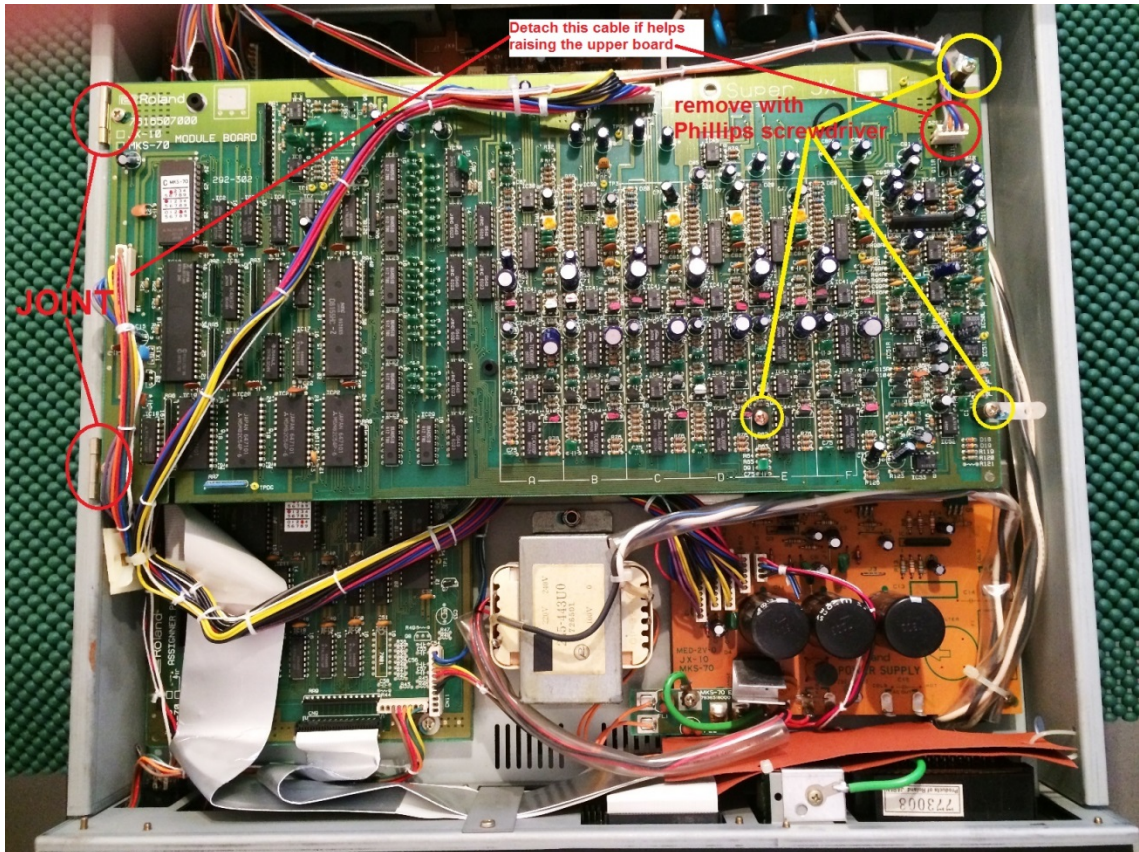


EPROM A replacement will take place on ASSIGNER BOARD. To access Assigner Board, jointed Upper and Lower Module Boards must be lifted up using Phillips screwdriver A and 8 mm closed end wrench.



Optional EPROM High and Low replacement will, in case, take place on UPPER SOUND BOARD and LOWER SOUND BOARD with similar operation.

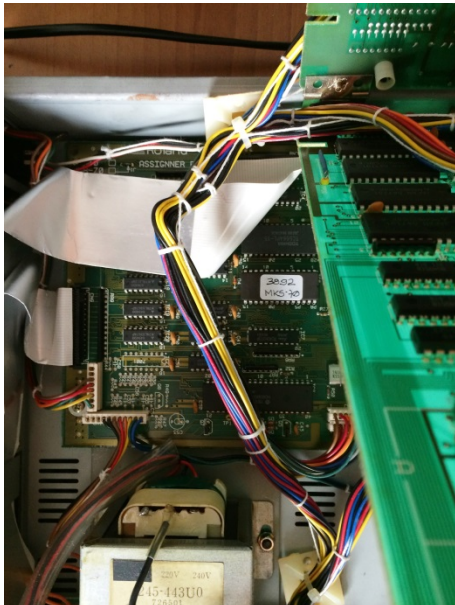
To access EPROM A, Upper and Lower sound board must be raised up, respecting the restriction given by the joint. Needless to say that no excessive force is needed during these operations.



Once raised up both sound boards, the old EPROM A will be accessible, can be removed and replaced with the newer one containing firmware 3.0.

Remove *old* EPROM A as much kindly as possible with "B" IC Extractor.

if needed, use tool C "IC Integrated Circuit Leg Straightener Tool" to straighten possibly bent pins or to adapt pins to the base.



To install newer EPROM A with firmware 3.0, use tool C "IC Integrated Circuit Leg Straightener Tool" to adapt pins to the base.

- Place the new EPROM A ver. 3.0 – *respecting the same placing direction*
- Fasten 8mm bolts for the Lower sound board, fasten screws for the Upper sound board, reconnect all the cables in their original position, if previously detached
- Slid back top cover, fasten C, B and A screws respectively, then reconnect power cable and turn on MKS-70

If EPROM A was correctly installed, the MKS-70 display will show:



This guide © 2014 wavesequence@gmail.com All rights reserved. Duplication in any manner is strictly prohibited.